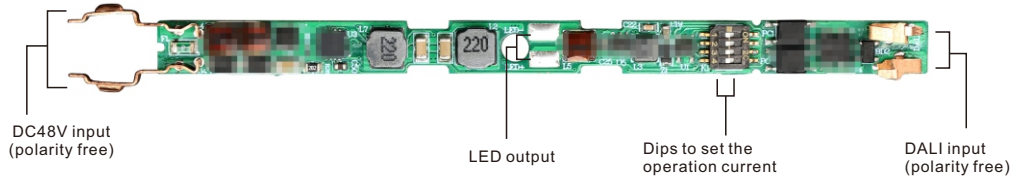


Ultra-Thin DALI LED Controller for Magnet Track Light



Important: Read All Instructions Prior to Installation

Function introduction



Product Data

Output	LED Channel	1						
	Selectable Current	100mA	150mA	200mA	250mA	300mA	350mA	400mA
	DC Voltage Range	3-40V	3-40V	3-40V	3-40V	3-40V	3-40V	3-40V
	Selectable Current	450mA	500mA	550mA	600mA	650mA	700mA	
	DC Voltage Range	3-40V	3-40V	3-20V	3-10V	3-6V	3V	
	Rated Power	Max. 20W						
Input	Dimming Interface	DALI-2 (DALI consumption < 2mA)						
	Voltage	12-48VDC (Polarity Free)						
	Current	0.1A @ full load						
	Efficiency	91%						
	Standby Power	<0.5W						
Protection	Over Load	Yes.remove the fault conditions and re-power the device.						
	Non-load	Yes.remove the fault conditions and re-power the device.						
	Short Circuit	Yes.remove the fault conditions and re-power the device.						
	Anti-reverse	Prevent driver and load damage						
Environment	Working Temp.	-20°C ~ +35°C						
	Working Humidity	10% ~ 95% RH non-condensing						
	Storage Temp. & Humidity	-40°C ~ +80°C, 10% ~ 95% RH						
Others	Dimension	113*8mm (L*W)						

Dips to set the operation current



	1	2	3	4
100mA	●	●	○	○
150mA	●	○	●	○
200mA	●	○	○	○
250mA	●	○	○	●
300mA	●	○	○	○
350mA	○	●	●	●
400mA	○	●	○	○
450mA	○	○	○	●

	1	2	3	4
500mA	○	●	○	○
550mA	○	○	●	●
600mA	○	○	○	●
650mA	○	○	○	●
700mA	○	○	○	○

- Ultra-slim design DALI DT6 LED controller
- Special design for magnet track light and linear lighting
- Magnet absorption installation application, no high frequency interference sound
- DC48V input, max. 20W
- 1 channel 100-700mA constant current output, dips to select multi operation current
- Deep and smooth dimming to 0.1%, flicker free
- In compliance with IEC 62386-101:2014, IEC 62386-102:2014, IEC 62386-207 Ed2.
- Built-in DALI-2 interface, DALI DT6 device
- Match typical DALI systems in the market, especially with A.A.G. Stucchi track.
- Waterproof grade:IP20
- 5 years warranty

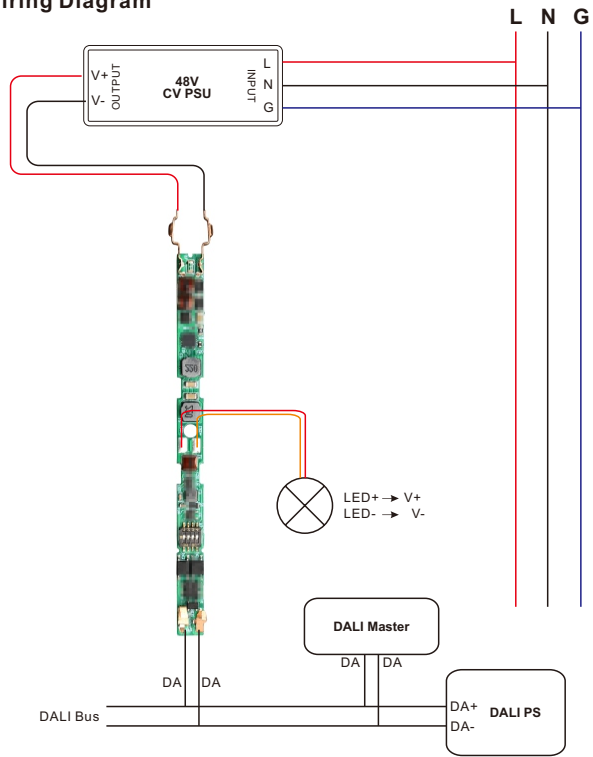
Output Load Suggestion

Input Voltage	Max. Output Voltage	Recommend Working Range
12V	7V	3-7V , The more close voltage difference ,the more better performance of the driver
24V	19V	8-19V , The more close voltage difference ,the more better performance of the driver
48V	40V	20-40V , The more close voltage difference ,the more better performance of the driver

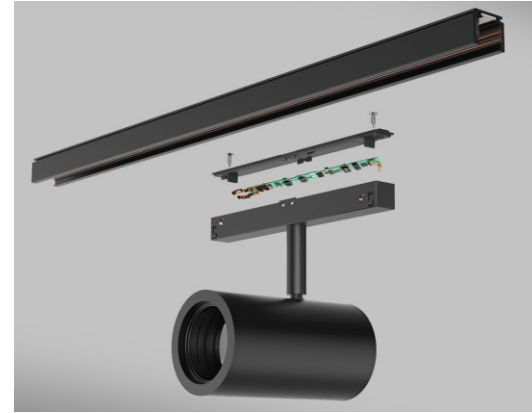
Safety & Warnings

- DO NOT install with power applied to device.
- DO NOT set operation current with power applied to device.
- DO NOT expose the device to moisture.

Wiring Diagram



Installation



DALI Address Assigned by DALI Masters

DALI address can be assigned by DALI Master controller automatically, please refer to user manuals of compatible DALI Masters for specific operations.

Product Dimension

